

INSTALLATION GUIDE

SuperFast® Florence and Tiempo Rigid Vinyl Tiles

Thank you for choosing our flooring. When properly installed and cared for, your new flooring will be easy to maintain and will keep its great look for years. Please read all the instructions before you begin the installation. Improper installation will void the warranty.

I. GENERAL PREPARATIONS

TOOLS REQUIRED: Spacers, rubber mallet, ruler, pencil, tape measure, utility knife, tapping block.

- Prior to installation, inspect material in daylight for visible faults/damage, including defects or discrepancies in color or shine; check the edges of the flooring for straightness and any damage. No claims on surface defects will be accepted after installation.
- It is preferable to lay tiles perpendicular to the window, following the direction of the main source of light. For the best result, make sure to always work from 3 to 4 cartons at a time, mixing the tiles during the installation.
- Check if subfloor/site conditions comply with the specifications described in these instructions. If you are not satisfied, do not install, and contact your supplier.
- Flooring products can be damaged by rough handling before installation. Exercise care when handling and transporting these products. Store, transport and handle the cartons in a manner to prevent any damage. Store cartons flat, never on edge.
- Flooring products can be heavy and bulky. Always use proper lifting techniques when handling these products. Whenever possible, make use of material-handling equipment such as dollies or material carts. Never lift more than you can safely handle; get assistance.
- Calculate the room surface prior to installation and plan an extra 5-10% of flooring for cutting waste.
- The environment where the flooring is to be installed is critically important with regard to successful installation and continued performance of the flooring products. The flooring is intended to be installed in interior locations only. These interior locations must meet climatic and structural requirements as well.
- In most cases, this product does not need to be acclimated. However, if the boxes of flooring were exposed over 2 hours to extreme temperatures under 50°F / 10°C or over 90°F / 32°C within the 12 hours before the installation, acclimation is required. In this case, keep the tiles in room temperature for at least 12 hours in unopened package before you start the installation. The room temperature must be maintained consistent between 50-90°F / 10-32°C before and during the installation.
- Flooring should only be installed in temperature ranges between 50-90°F / 10-32°C, it is necessary to maintain a constant temperature before and during the installation. Portable heaters are not recommended as they may not heat the room and subfloor sufficiently. Kerosene heaters should never be used.
- After installation, make sure that the flooring is not be exposed to temperatures less than 0°F / -15°C or greater than 140°F / 60°C.
- For floor surfaces exceeding 6400 ft² / 620 m² and/or lengths exceeding 80 ft / 25 m, use expansion moldings.

II. SUBFLOOR INFORMATION

- The flooring can be installed over most existing hard surface floor coverings, provided that the existing floor surface is clean, flat, dry, securely fastened, structurally sound and level to 3/16" / 5 mm within 10 ft / 3 m.
- The substrate should not slope more than 1" / 25 mm per 6 ft / 2 m in any direction.
- Depressions, deep grooves, expansion joints and other subfloor imperfections must be filled with patching & leveling compound.
- Substrates must be free from excessive moisture or alkali. Remove dirt, paint, varnish, wax, oils, solvents, any foreign matter and contaminants.
- Do not use products containing petroleum, solvents or citrus oils to prepare substrates as they can cause staining and expansion of the new flooring.
- Although this floor is waterproof, it is not aimed to be used as a moisture barrier. The concrete moisture vapor emissions should not exceed 8 lb / 3.63 kg (ASTM F1869) / 90 % RH (ASTM F2170) with a PH limit of 9 / max 2.5 % moisture content (CM method).
- This product is also not to be installed in areas that have a risk of flooding such as saunas or outdoor areas.
- Existing sheet vinyl floors should not be heavily cushioned and not exceed more than one layer in thickness. Soft underlayment and soft substrates will diminish the products inherent strength in resisting indentations.

WOOD SUBFLOORS

- If this flooring is intended to be installed over an existing wood floor, it is recommended to repair any loose boards or squeaks before you begin the installation.
- Nail or screw every 6" / 15 cm along joints to avoid squeaking.
- Basements and crawl spaces must be dry. Use of a 6 mil / 0.15 mm poly-film is required to cover 100 % of the crawl space earth.
- We recommend laying the flooring crossways to the existing floorboards.
- All other subfloors - Plywood, OSB, particleboard, chipboard, wafer board, etc. must be structurally sound and must be installed following their manufacturer's recommendations.

CONCRETE SUBFLOORS

- Existing concrete subfloors must be fully cured, at least 60 days old, smooth, permanently dry, clean, and free of all foreign material such as dust, wax, solvents, paint, grease, oils, and old adhesive residue. Curing agents and hardeners could cause bonding failure and should not be used.
- We recommend using a minimum 6 mil / 0.15 mm poly-film as a moisture barrier between the concrete subfloor and the flooring.

DO NOT INSTALL OVER

- Any type of carpet.
- Existing cushion-backed vinyl flooring.
- Floating floor of any type, loose lay, and perimeter fastened sheet vinyl.
- Hardwood flooring / wood subfloors that lay directly on concrete or over dimensional lumber or plywood used over concrete.

IMPORTANT NOTICE

In-floor Radiant Heat: Flooring can be installed over 1/2" / 12 mm embedded radiant heat using the floating method. Maximum operating temperature should never exceed 85°F / 30°C. Use of an in-floor temperature sensor is recommended to avoid overheating.

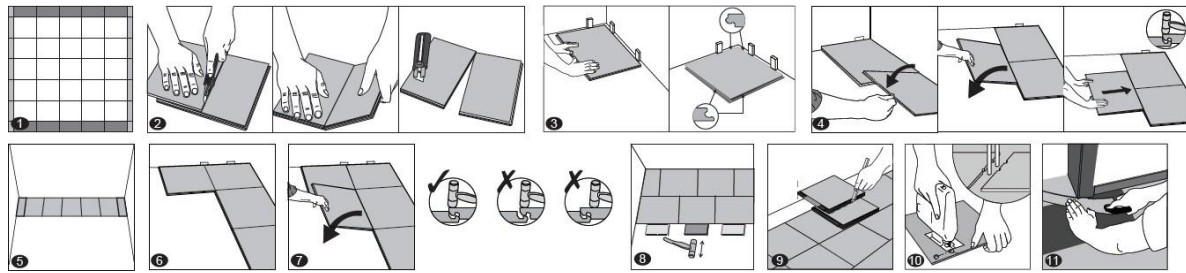
- Turn the heat off for 24 hours before, during and 24 hours after installation when installing over radiant heated subfloors.
- Before installing over newly constructed radiant heat systems, operate the system at maximum capacity to force any residual moisture from the cementitious topping of the radiant heat system.
- Make sure that the temperature in the room is maintained consistent between 70-80°F / 20-25°C before and during the installation.
- Floor temperature must not exceed 85°F / 30°C.
- Once the installation has been completed, the heating system should be turned on and increased gradually (5-degree increments) until returning to normal operating conditions.
- Refer to the radiant heat system's manufacturer recommendations for additional guidance.

Warning: Electric heating mats that are not embedded into the subfloor are not recommended for use underneath the floors. Using electric heating mats that are not embedded and applied directly underneath the floors could void the warranty for your floor in case of failure. It is best to install the flooring over embedded radiant floor heating systems and adhere to the guidelines listed above.

III. INSTALLATION

- Remove baseboard, quarter-round moldings, wall base, appliances and furniture from room. For best results, door trim should be under-cut to allow flooring to move freely without being pinched. After preparation work, sweep and vacuum the entire work area to remove all dust and debris.
- With a floating floor you must always ensure you leave 5/16" / 8 mm gap between walls and fixtures such as pillars, stairs, etc. These gaps will be covered with trim moldings after the floor is installed.
- Whenever possible, plan the layout so that the joints in the tiles do not fall on top of joints or seams in the existing substrate. Do not install over expansion joints. Avoid installing pieces shorter than 12" / 30 cm at beginning or end of rows.
- Do not install your kitchen cabinets directly over your floor. The floor's quality can only be guaranteed as long as the floor is allowed to move freely.
- Decide the installation direction. It is recommended to install the tiles perpendicular to the window following the direction of the main source of light.
- Measure the area to be installed: The tile width of the last row shall not be less than 2" / 50 mm. If so, adjust the width of the first row to be installed. In narrow hallways, it is recommended to install the floor parallel to the length of the hall.
- **UNDERLAY:** If the floor does not have a pre-attached underlayment, an additional underlayment is recommended in order to improve acoustic performance and absorb some irregularities on the substrate. Best results can be expected with an underlayment of 0.04" / 1 mm to max 0.06" / 1.5 mm thickness with a high density (>397 lb / ft³ / >180 kg / m³) and high compressive strength (>200 kPa) that supports the click system during daily use. Underlayments with a low density and an inadequate compressive strength could damage the locking mechanism and will void warranty. If the floor has a pre-attached underlayment, the use of an additional underlayment could damage the locking mechanism and will void warranty.
- **Underlayments over 1.5mm in thickness will void the warranty.**

MONOLITHIC / LINEAR PATTERN

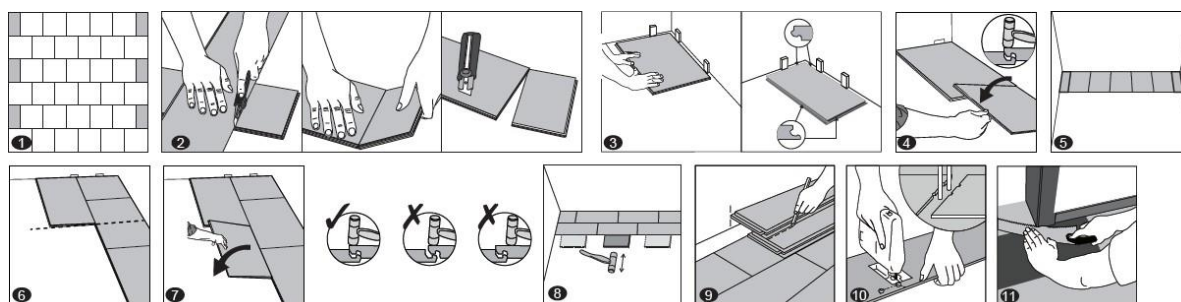


- 1. IMPORTANT:** Measure the area to be installed, perimeter rows of opposing walls shall be the same width. Adjust the width and the length of the first tile to be installed accordingly. In narrow hallways, it is recommended to install the floor parallel to the length of the hall.
- 2. To cut the tile:** Use a simple utility knife and ruler, and with the top side facing up, cut heavily and several times on the same axis. The knife will not go through the surface but make a deep cut. You can then lift one half of the tile using your other hand to hold down the second placing it very close to the cut. The floorboard will split naturally.
- 3. First row, first tile:** After adjusting the measurements of the first panel as described above, begin laying at the left-hand corner of the longest wall and proceed from the wall with the tongue sides facing walls and the grooves facing outward (groove sides are marked with arrows on the back of each tile), away from the walls. Use spacers to create 5/16" / 8 mm expansion gaps.
- 4. First row, second tile:** Lay down the second tile on the right-hand side of the first tile, aligning its left side over the right-side groove of the first. Make sure both tiles are perfectly aligned. Gently tap down with a rubber mallet to lock it into the groove of the first tile, until both are at the same height. The mallet should hit the tile directly above the locking system, allowing for a correct engagement.
Tip: Perfect alignment of the first row is crucial. To help, place the 2 first tiles of the row without yet engaging them, and use a third tile or a cut off and engage in a way that it is clicked to the 2 first tiles. This will ensure alignment before tapping the two tiles together. Finish the first row by installing each tile one by one with the above method.
Note: Tapping the area close to the edge, but not directly above it, may result in permanent damage to the joint. If you notice both tiles aren't at the same height, are not well locked together, or are not properly lined up, please follow the disassembling instructions at the bottom of the page, disassemble and check if any debris is stuck inside the lock. Continuing the installation could result in permanent damage to the end joint or the entire installation.
- 5. First row, last tile:** At the end of the first row, leave an expansion gap of 5/16" / 8 mm to the wall and measure the length of the last tile to fit.
- 6. Second row, first tile:** Click the tongue side of the tile into the previous row with both groove sides facing out at an angle of 25-30°, slide towards the wall (respect the 5/16" / 8 mm expansion gap) and fold down, ensuring that the long side is fully engaged with no visible gaps, and that the right edge of the tile is perfectly aligned with the first tile of the first row.
- 7. Second row, second tile:** Lay down the second tile on the right-hand side of the first tile by clicking it into the previous row at a 25-30° angle, aligning its left side over the right-side groove of the first. Make sure both tiles are perfectly aligned. Gently tap down with a rubber mallet to lock it into the groove of the first tile, until both are at the same height. The mallet should hit the tile directly above the locking system, allowing for a correct engagement.
- 8. After finishing the installation of every row:** Use tapping block and a small hammer or rubber mallet to gently tap the tiles into the click of the previous row to make sure they are tightly engaged together and make sure there is no gap between the long side of the tiles installed. Any gapping can compromise the whole installation.

Tip: After the first 2-3 rows of tiles are installed, they should be checked with a string line to ensure that rows are still running straight. If they are not, it could be that the starting wall has some irregularities that caused bowing in the installation. If so, the starting row of tiles may have to be scribed and re-trimmed to account for any unevenness in the wall. This can be done without having to disassemble the beginning rows.

9. **To lay the last row:** Position a loose tile exactly on top of the last row laid. Place another tile on top, with the tongue side touching the wall. Draw a line along the edge of this tiles, to mark the first tile. Cut along the edge of this tile to mark the first tile. Cut along this line to obtain the required width. Insert this cut tile against the wall. The last row should be at least 2" / 50 mm wide. The spacers can then be removed.
10. **Holes for pipes:** Measure the diameter of the pipe and drill a hole that is 5/8" / 16 mm larger. Saw off a piece as shown in the figure and lay the tile in place on the floor. Then lay the sawed-off piece in place.
11. **Door molding and skirting:** Lay a tile (with the decorative side down) next to the door molding and saw as shown in the figure. Then slide the floorboard under molding.

BRICK PATTERN



1. **IMPORTANT:** Measure the area to be installed, perimeter rows of opposing walls shall be the same width. Adjust the width and the length of the first tile to be installed accordingly. In narrow hallways, it is recommended to install the floor parallel to the length of the hall.
2. **To cut the tile:** Use a simple utility knife and ruler, and with the top side facing up, cut heavily and several times on the same axis. The knife will not go through the surface but make a deep cut. You can then lift one half of the tile using your other hand to hold down the second placing it very close to the cut. The floorboard will split naturally.
3. **First row, first tile:** After adjusting the measurements of the first panel as described above, begin laying at the left-hand corner of the longest wall and proceed from the wall with the tongue sides facing walls and the grooves facing outward (groove sides are marked with arrows on the back of each tile), away from the walls. Use spacers to create 5/16" / 8 mm expansion gaps.
4. **First row, second tile:** Lay down the second tile on the right-hand side of the first tile, aligning its left side over the right-side groove of the first. Make sure both tiles are perfectly aligned. Gently tap down with a rubber mallet to lock it into the groove of the first tile, until both are at the same height. The mallet should hit the tile directly above the locking system, allowing for a correct engagement. **Note:** Tapping the area close to the edge, but not directly above it, may result in permanent damage to the joint. If you notice both tiles aren't at the same height, are not well locked together, or are not properly lined up, please follow the disassembling instructions at the bottom of the page, disassemble and check if any debris is stuck inside the lock. Continuing the installation could result in permanent damage to the end joint or the entire installation.
5. **First row, last tile:** At the end of the first row, leave an expansion gap of 5/16" / 8 mm to the wall and measure the length of the last tile to fit.

6. **Second row, first tile:** Before starting the second row, it is crucial to mark the center of the second tile in the first row and draw a chalk line / place a string at a 90° to the first row following the central line to the opposite wall. Adjust the size of the first tile in the second row, so that the right edge is perfectly aligned with the chalk line / the string in the middle of the second tile in the first row. Click the tongue side of the tile into the previous row with both groove sides facing out at an angle of 25-30°, slide towards the wall (respect the 5/16" / 8 mm expansion gap) and fold down, ensuring that the long side is fully engaged with no visible gaps, and that the right edge of the tile is perfectly aligned with the first tile of the first row.
7. **Second row, second tile:** Lay down the second tile on the right-hand side of the first tile by clicking it into the previous row at a 25-30° angle, aligning its left side over the right-side groove of the first. Make sure both tiles are perfectly aligned. Gently tap down with a rubber mallet to lock it into the groove of the first tile, until both are at the same height. The mallet should hit the tile directly above the locking system, allowing for a correct engagement.
8. **After finishing the installation of every row:** Use scrap pieces and a small hammer or rubber mallet to gently tap the tiles into the click of the previous row to make sure they are tightly engaged together and make sure there is no gap between the long side of the tiles installed. Any gapping can compromise the whole installation.
Tip: After the first 2-3 rows of tiles are installed, they should be checked with a string line to ensure that rows are still running straight. If they are not, it could be that the starting wall has some irregularities that caused bowing in the installation. If so, the starting row of tiles may have to be scribed and re-trimmed to account for any unevenness in the wall. This can be done without having to disassemble the beginning rows.
9. **To lay the last row:** Position a loose tile exactly on top of the last row laid. Place another board on top, with the tongue side touching the wall. Draw a line along the edge of this tiles, to mark the first tile. Cut along the edge of this tile to mark the first tile. Cut along this line to obtain the required width. Insert this cut tile against the wall. The last row should be at least 2" / 50 mm wide. The spacers can then be removed.
10. **Holes for pipes:** Measure the diameter of the pipe and drill a hole that is 5/8" / 16 mm larger. Saw off a piece as shown in the figure and lay the tile in place on the floor. Then lay the sawed-off piece in place.
11. **Door molding and skirting:** Lay a tile (with the decorative side down) next to the door molding and saw as shown in the figure. Then slide the floorboard under molding.

IV. FINISHING THE INSTALLATION

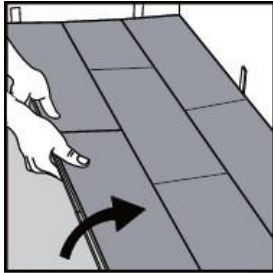
Replace molding or wall base, allowing slight clearance between the molding and the tiles. Nail the molding to the wall surface, not through the flooring. At doorways and at other areas where the flooring tiles may meet other flooring surfaces, the use of a transition molding is required to cover the exposed edge but do not pinch the tiles. Leave a 5/16" / 8 mm gap between the tiles and the adjoining surface.

V. MAINTENANCE

- Sweep or vacuum daily using soft bristle attachments.
- Clean up spills and excessive liquids immediately.
- Damp mop as needed and use cleaners recommended for vinyl flooring.
- The use of residential steam mops on this product is allowed. Use at lowest power with a suitable soft pad, and do not hold a steam mop on one spot for an extended period of time (longer than 5 minutes). Refer to the steam mop's manufacturer instructions for proper usage.
- Use proper floor protection devices such as felt protectors under furniture.

- Place a walk-off mat at outside entrances to reduce the amount of dirt brought into your home. Do not use mats with a latex or rubber backing since these backings can cause permanent discoloration.
- Do not use abrasive cleaners, bleach or wax to maintain the floor.
- Do not drag or slide heavy objects across the floor.

VI. DISASSEMBLING



Separate the whole row by lifting it up delicately at an angle. To separate tiles within a row that have been “tapped” together, leave them flat on the ground and slide them apart. If tiles do not separate easy, you can slightly lift up the tiles (5°) when sliding them apart. Please ensure not to lift more than 5° as this will break the locking system.

Tip: If the tiles are difficult to slide apart, it may be the lock is not fully engaged. Try tapping down with a rubber mallet, making sure the full length is engaged, then slide apart keeping tiles flat on the ground.

For Customer Service, Call or Email:

(888) 271-3859 or (404) 794-3688

info@superfastflooring.com